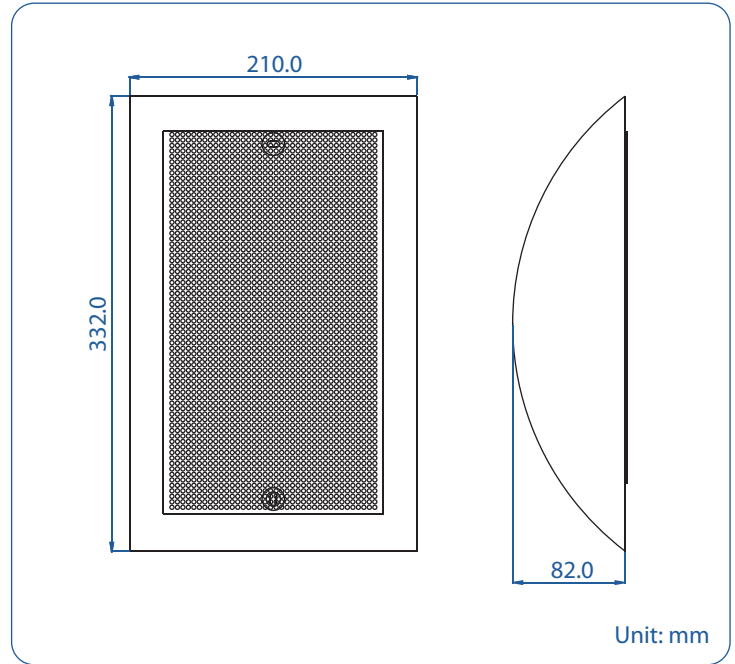




WSP-5061 "Designer" Wall Loudspeaker



- 100 Hours Life Tested
- CE Certified (EMC & LVD)
- IP Rated
- Rustproof
- UL94V0
- BS 5839 Part 8
- EASE Data
- RoHS Compliance
- UV Stable
- Withstanding/Insulation Tested

- 5.25" twin cone driver unit for high quality sound reproduction
- Bass reflex design
- Sleek "Designer" style wall speaker
- Rugged ABS cabinet
- Ideal for background music as well as public address announcements
- Finished in white

Model No.	WSP-5061
Rated Power (rms)	6W
Impedance	1.67kΩ, 3.33kΩ, 6.67kΩ & 13.33kΩ
Power Taps @ 100V	6W, 3W, 1.5W & 0.75W
Power Taps @ 70V	3W, 1.5W, 0.75W & 0.375W
SPL (1W / 1m)	93dB
Max. SPL (Rated W / 1m)	100dB
Frequency Range (-10dB)	160 Hz ~ 20k Hz
Dispersion 1k Hz / 4k Hz	130° / 80°
Operating Temperature	-30°C ~ +60°C
Power Selection	Plug
Material	Housing: High impact ABS, Grille: Steel
Colour / Finish	White
Dimensions	210.0 (8.27) X 332.0 (13.07) X 82.0 (3.23) mm. (in.)
Net Weight (ea)	1.46 kg (3.22 lb.)
Mounting	Screws

Rated Power according to IEC 60268- 5 100 hours Power Handling Capacity standard