

Program Distributor

PO-606



FEATURES

❖ CONVENIENT AND EASY TO OPERATE

Distributes a single channel input to six outputs for signal transmission.

❖ EASY TO ADJUST

Front-panel input and output level adjustment.

❖ INPUT MONITORING

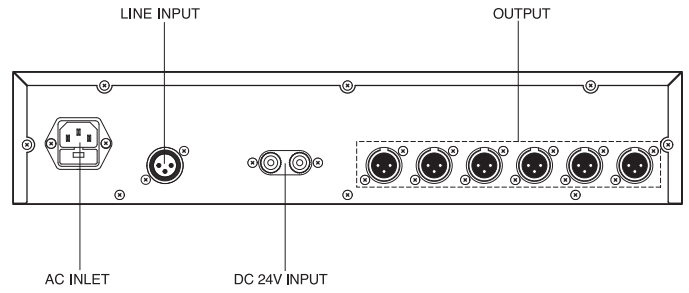
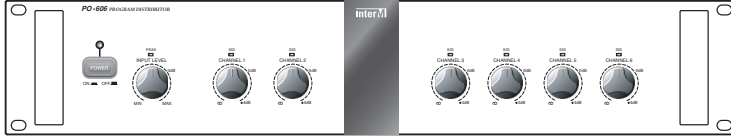
Input peak LED monitoring.

SPECIFICATIONS

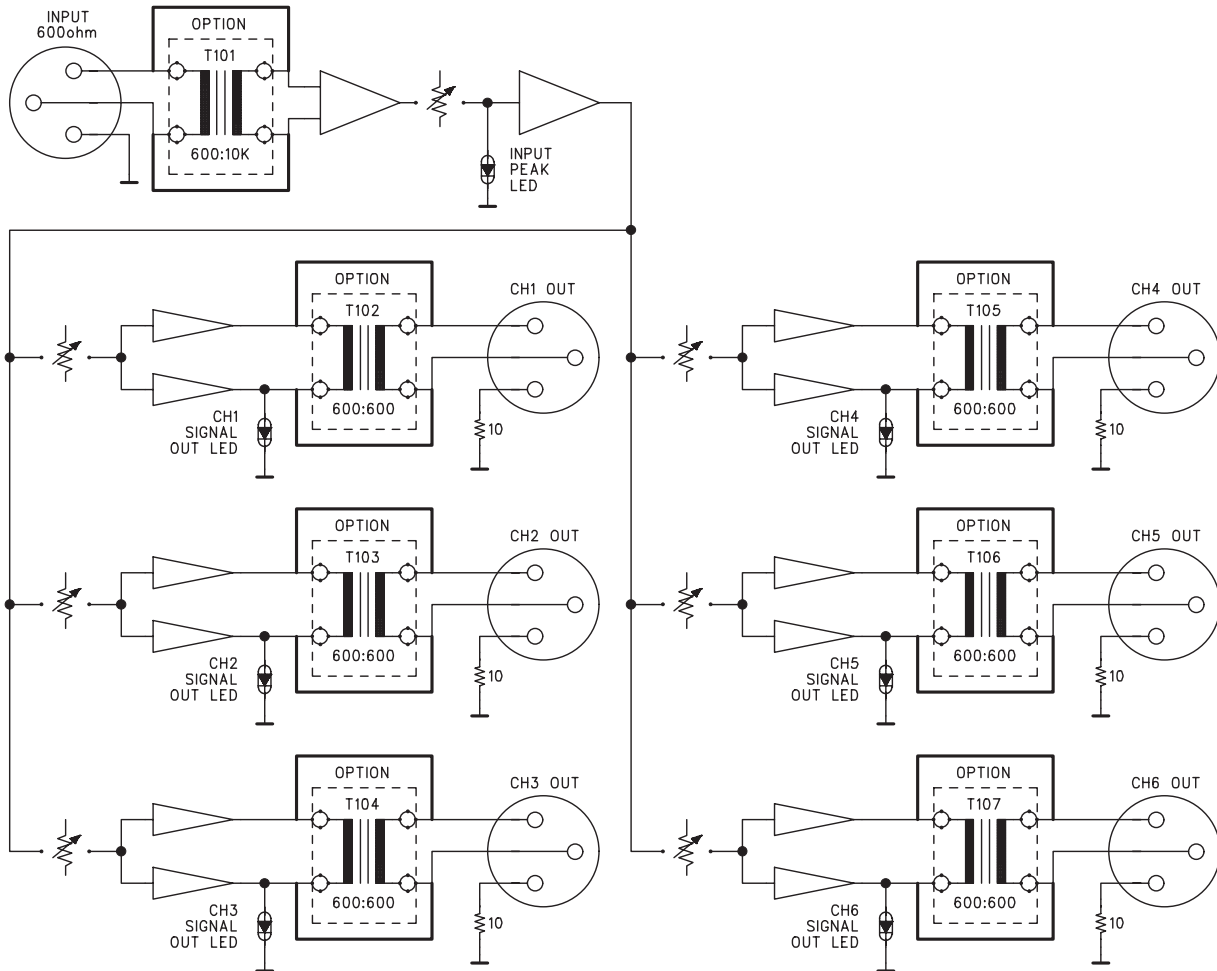
	PO-606
Channels	1 Input, 6 Outputs
Frequency Response	20Hz-20kHz(±3dB)
T.H.D at 1kHz, Rated Output	Less than 0.1%
Input Sensitivity/Impedance	1V/600Ω Balanced
Output Level/Impedance	3V/600Ω Balanced
S/N	Better than 70dB
Operation Temperature	-10°C ~ +40°C
Power Source	100-120VAC or 220-240VAC; 50/60Hz (Supplied AC main transformer depends on country requirements)
Power Consumption	10W
Weight (SET)	5kg/11lb
Dimensions (SET)	482(W)x88(H)x380(D)mm/19(W)x3.5(H)x15(D)in

* Specifications and design are subject to change without notice.

Program Distributor PO-606



BLOCK DIAGRAM



Inter-M Corporation

- OFFICE: 653-5 BANGHAK-DONG, DOBONG-KU, SEOUL, KOREA
 - TEL : +82-2-2289-8140~8, FAX : +82-2-2289-8149

- Home page: <http://www.inter-m.com>
 - E-mail: overseas@inter-m.com
 - Printed in Korea