

Touch the future

TC2 Fire-new updating



TC2 smart wall switch

-  Touch switch
-  App control
-  Remote control
-  Scene mode
-  Timer function
-  Interaction



Smartphone/Panel Control & One-button Configuration

TC2 makes light controlling easier and more user-friendly.



NOTE : App control function can be only used when working together with BroadLink RM pro.

[Know more about RM pro](#)



Single Live Wire Installation

The installation of TC2 is same as traditional mechanical wall switch, simple and convenient.



[Quick Installation Guide of TC2](#)



NOTE: This product should be installed by trained electricians. Please follow the basic electrotechnical security principles.

RF 433MHz Communication

The emissive ability of RF 433MHz is 3 times higher than RF 315MHz which makes TC2 can be remotely controlled through walls within 15m.



433 MHz

RF signal covers the whole house.



Timer - Awakening Function

Comfortably wake up in the morning by setting timer to turn on the light.



Timer - Anti-theft Function

Light will be turned on timely when travelling.
Keep thieves away from your home.





Remotely Control

Turn on the light before coming home at night. No more darkness. Warm light is right there waiting for you.



Interaction

Away

Automatically turn off light when no person detected

Home

Automatically turn on light when person detected

BroadLink TC2

*** NOTE:** Interaction can be only used when working together with other BroadLink and BroadLink DNA products.

Tempered Glass Crystal Panel

Accurate touch sense
High hardness
Safety protection



100% Copper Terminals

Excellent electrical conductivity, low heat and no oxidation/rust.

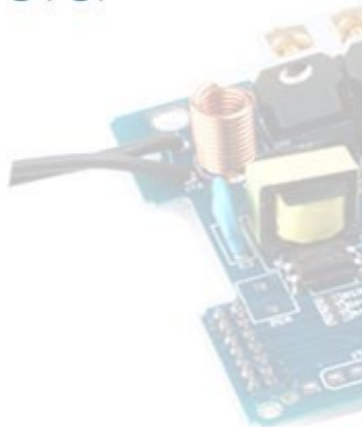


Smart Light Switch Safer & More Reliable than ever



Triac Control

Best compatibility and reliability.
No flashing of lights.



OVERLOAD PROTECTION

Designed with protection circuits for safe operation, TC will cut off power automatically when it is overloaded.

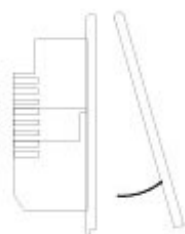
CONTACTLESS PANEL

No direct contact with circuit to prevent electric leakage.

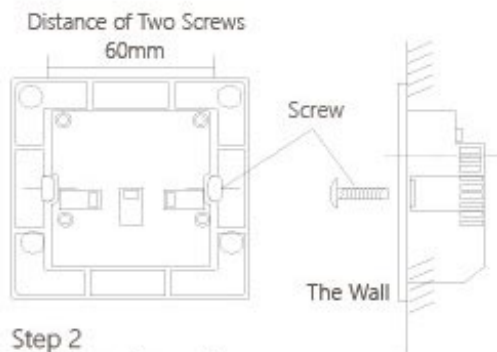
FLAME-RETARDANT PC CASE

Ultra safety protection never causing damage to your house.

How to Install

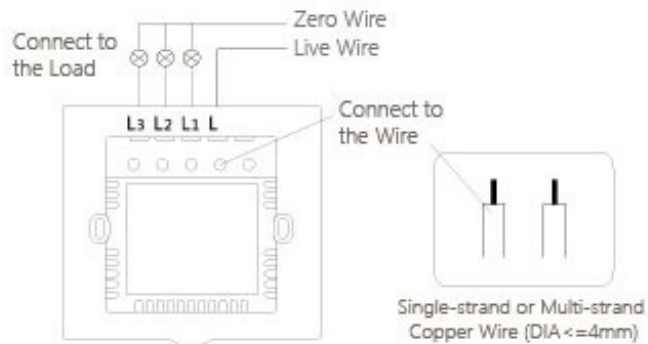


Step 1
Open the panel



Step 2
Mount on the wall

How to Connect Wires



Step 3
Refer to the physical mark to connect the wires

Specifications



Name

433MHz Smart Wall Switch



Materials

Panel - Glass Crystal;
Substrate - Flame Retardant PC



Control Distance

15m



Model

TC2 - CN



Load Power

3W~300W/gang
(800W in total for 3-gang)



Working Voltage

AC90~180V 50/60Hz



Life Time

100,000 times

TC2



ESPECIFICACIONES

Modo de comunicación	RF 433 Mhz
Húmedad relativa	5 - 95%
Temperatura de operación	0°C - 55°C
Fuente de alimentación	AC 110-150V, AC 50/60 Hz
Carga máxima	5-200W (Foco incandescente) 5-100W (Foco fluorescente/LED)
Canales	2 Canales
Botones	1 / 2 / 3 x Botones Touch
Conexión alámbrica	2 Cables por botón/circuito
Rango de control RF	20 mts
Frecuencia RF	433:432.5 MHz-437.3
Dimensiones	72 x 120 x 36 mm

Disponibles en versión:



***Nota: Debe usarse con el dispositivo RM Pro de BroadLink**